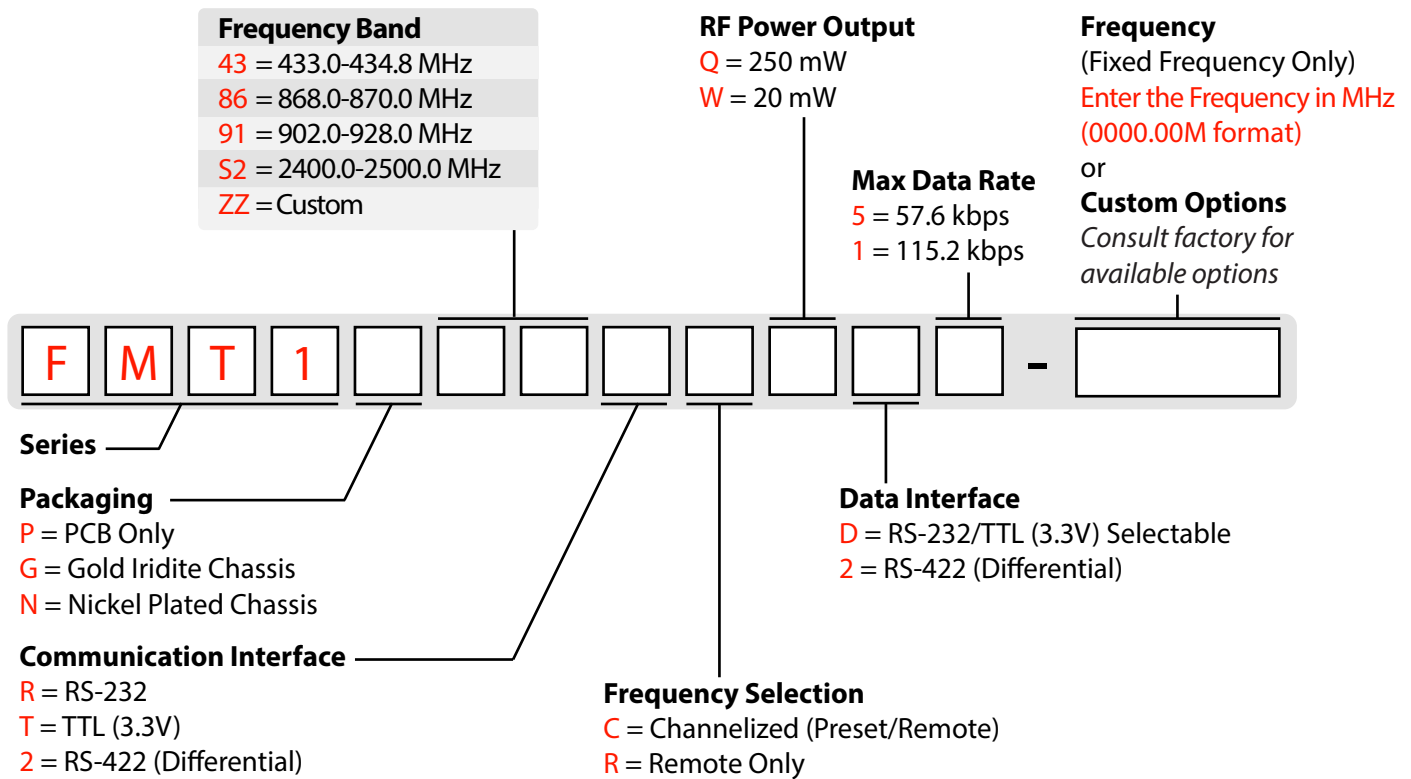


# FMT1 Model Number Builder

## FSK Data Transmitter



### Notes:



Advanced Microwave Products  
PO Box 1437  
2465 Old Highway 40 West, Suite 200  
Verdi, NV 89439

Phone: (775) 345-9933  
Fax: (775) 345-9913  
E-mail: sales@advmw.com  
Web: www.advmw.com