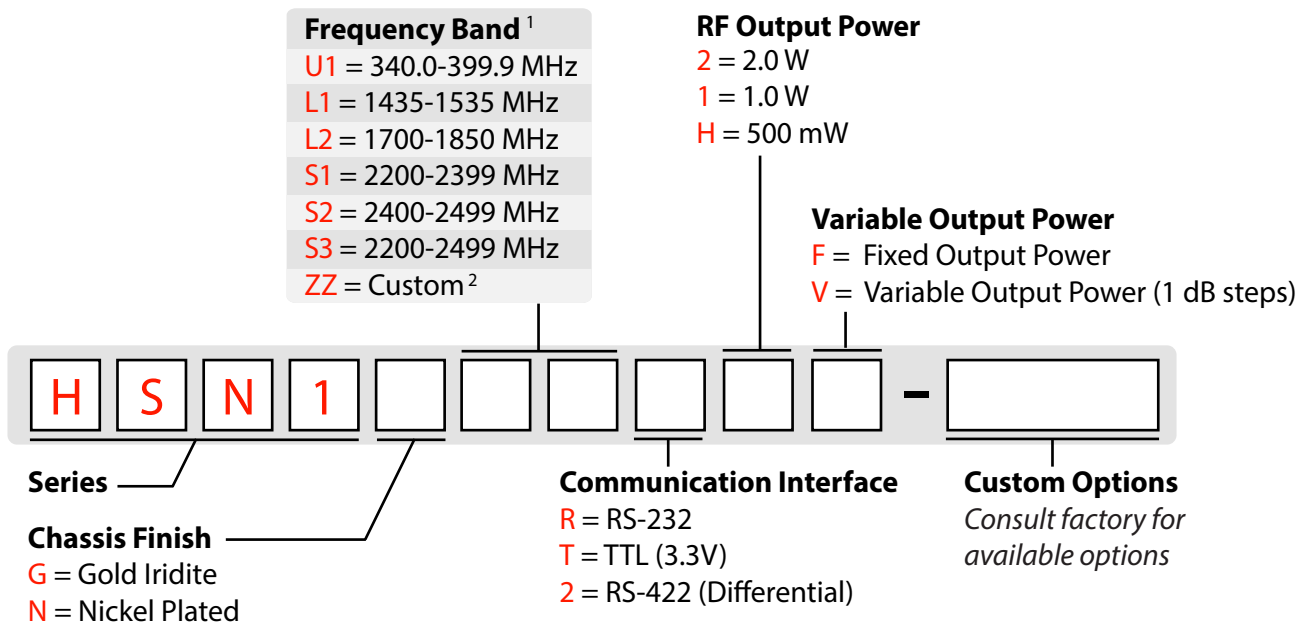


HSN1 Model Number Builder

High Power Amplifier



Notes:

1) HSN1 power amplifiers must be matched to the connected transmitters



Advanced Microwave Products
 PO Box 1437
 2465 Old Highway 40 West, Suite 200
 Verdi, NV 89439

Phone: (775) 345-9933
 Fax: (775) 345-9913
 E-mail: sales@advmw.com
 Web: www.advmw.com