

ET35 Model Number Builder

Encrypted Video/Audio Transmitter

Frequency Band (Other Ranges Available)

U = UHF	340.0-399.9 MHz	100 kHz BCD Steps
M = Lower L-band	1435-1535 MHz	1 MHz BCD Steps
L = Upper L-band	1700-1850 MHz	1 MHz BCD Steps
S = S-band	2200-2399 MHz	1 MHz BCD Steps
2 = ISM S-band	2400.00-2499.75 MHz	250 kHz BCD Steps
C = C-band	4400-4999 MHz	1 MHz BCD Steps
P = Public Safety C-band	4940-4990 MHz	1 MHz BCD Steps

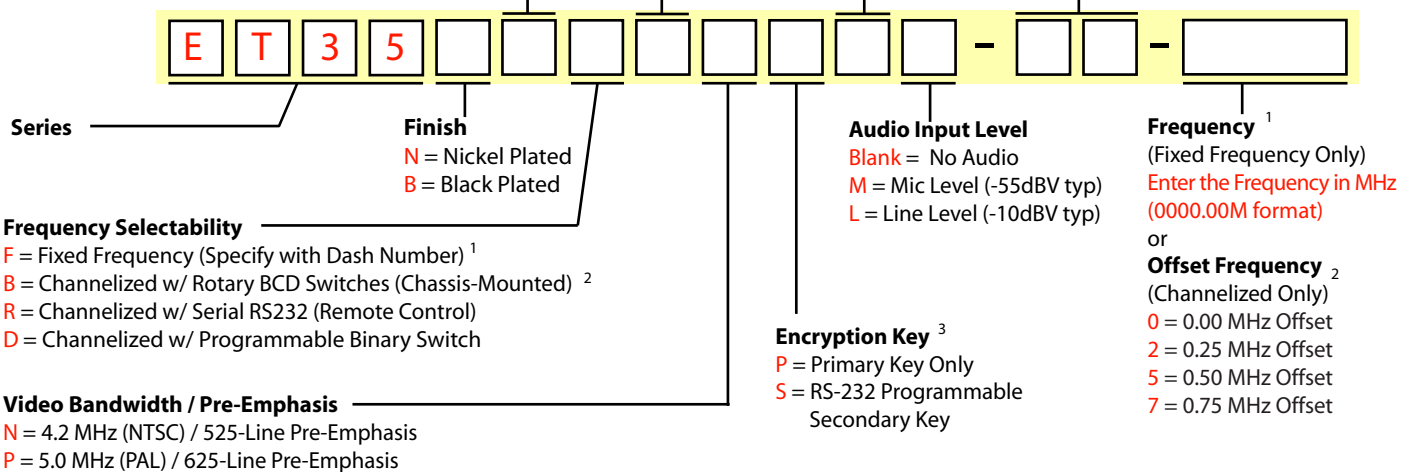
RF Power
Q = 250 mW
H = 500 mW

Audio Channels ⁴

Blank = No Audio
1 = Mono
2 = Stereo

Camera Supply

Blank = No Supply
05 = 5.0 Vdc
12 = 12.0 Vdc
17 = Dual 5.0/12.0 Vdc



Notes:

- 1) Fixed frequency models must have the Frequency specified after the dash at the end of the model number.
- 2) Channelized models with 1 MHz steps (see Frequency Band for step sizes) must have an Offset Frequency specified after the dash at end of model number.
- 3) Programmable Secondary Key is only available with RS232 programmable Frequency Selection options (codes R and D)
- 4) Transmitters may be configured as video only or video with up to two audio channels.



Advanced Microwave Products
 7025 Longley Lane, Suite 20
 Reno, NV 89511

Phone: (775) 345-9933
 Fax: (775) 345-9913
 E-mail: sales@advmw.com
 Web: www.advmw.com