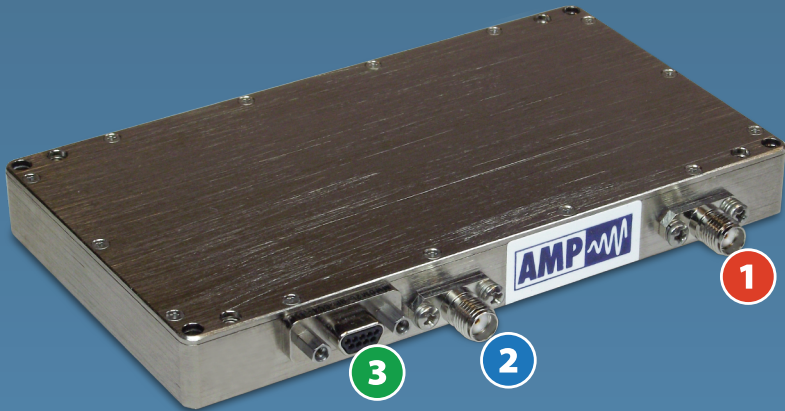


HSN1 Power Amplifier Quick Start Guide



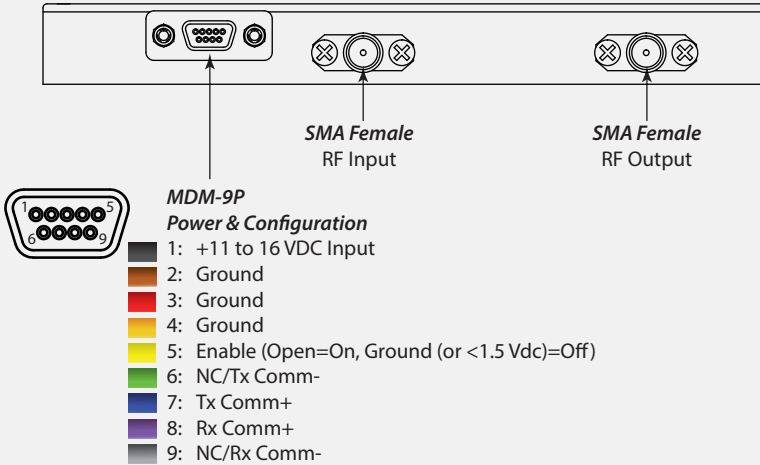
- STEP 1** Connect amplifier RF output SMA connector to antenna
- STEP 2** Connect the RF output from the CNT1 video transmitter to RF input SMA connector.
- STEP 3** Connect power, Communications (if required), and enable inputs to the MDM-9P connector *see reverse side

Note When setting up your system, the transmit and receive antennas should be greater than 25 feet apart to prevent serious damage to or destruction of the receiver's front end



For Technical Support, Contact AMP
at (775) 345-9933 (9 am - 5 pm PST)
or engineering@advmw.com

Wiring Your HSN1 Power Amplifier



How to Configure Your Amplifier

The HSN1 power amplifier does not require any configuring unless it includes optional variable output level. If included, the power level is set via commands using the Comm port. See the HSN1 Interface Control Document (ICD) for more details.



Advanced Microwave Products
PO Box 1437
2465 Old Highway 40 West, Suite 200
Verdi, NV 89439