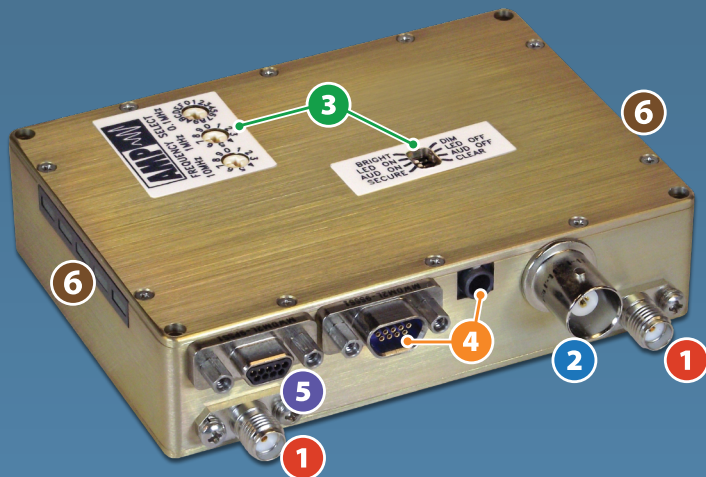


VDR1 Receiver Quick Start Guide



- STEP 1** Connect antennas to SMA connectors
- STEP 2** Connect video monitor/recorder to BNC connector
- STEP 3** Set configuration *see reverse side
- STEP 4** Connect audio/data outputs to 3.5mm stereo jack and/or the MDM-9S connector (if applicable)
- STEP 5** Connect power/communications inputs to the MDM-9P connector *see reverse side
- STEP 6** Check RSSI meters to confirm a signal is being received

Note When setting up your system, the transmit and receive antennas should be greater than 25 feet apart to prevent serious damage to or destruction of the receiver's front end

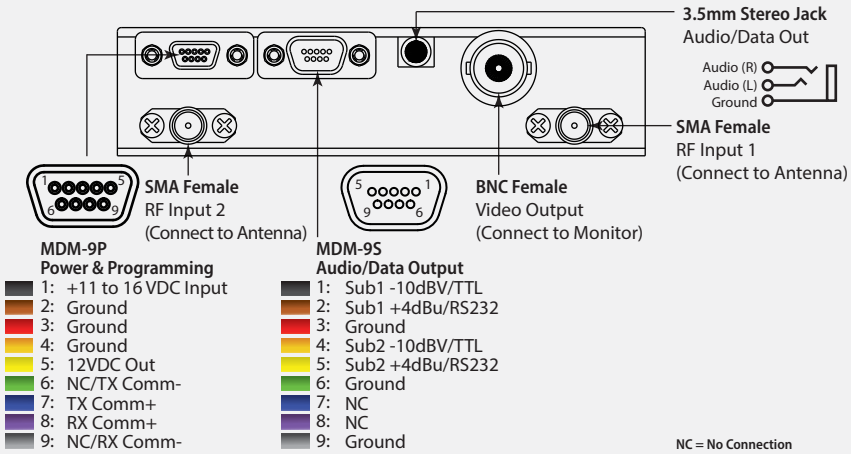


Advanced Microwave Products
PO Box 1437
2465 Old Highway 40 West, Suite 200
Verdi, NV 89439

For Technical Support, Contact AMP
at (775) 345-9933 (9 am - 5 pm PST)
or engineering@advmw.com

Wiring Your VDR1 Receiver

(Audio/Data Connections are Dependent on Configuration)



How to Set Your Receiver Configuration

The VDR1 receiver has three modes for configuring the unit: Local Mode, Preset Mode, and Remote Mode (see manual for details). Local Mode utilizes DIP switches for configuring equipped options and rotary switches for frequency selection as shown below:

Diagram A - For 1 MHz Step - L-Band, S-Band, and C-Band

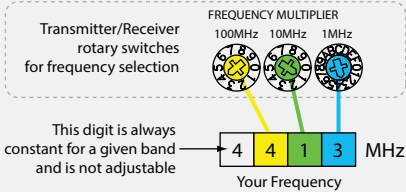
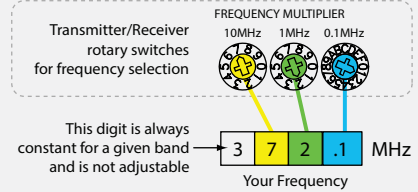


Diagram B - For 100 KHz Step - UHF



Pre-set Mode, selected when the two 10-position (BCD, 0-9) switches are set to zero and the 16-position (binary, 0-F) is set to any position 1-F, allows local selection among 15 pre-set configurations. The VDR1 receiver ships from the factory with the 15 pre-sets configured with all options "ON" and set to their max settings with the frequencies set per the table below. Pre-sets may be changed as outlined in the ICD (Interface Control Document) via the communications port. Pre-sets are reprogrammable using Remote Mode, selected when all three rotary switches are set to zero. "Remote Only" VDR1 receivers have no rotary switches installed. See the product manual for more details.

Frequency Band

"Config Select" Preset

Preset	U1	L1	L2	S1	S2	S3	C1	C2	C3	5.8
1	340 MHz	1435 MHz	1700 MHz	2200 MHz	2400 MHz	2200 MHz	4400 MHz	4900 MHz	4400 MHz	5725 MHz
2	344 MHz	1442 MHz	1711 MHz	2214 MHz	2407 MHz	2221 MHz	4436 MHz	4907 MHz	4443 MHz	5736 MHz
3	349 MHz	1449 MHz	1721 MHz	2228 MHz	2414 MHz	2243 MHz	4471 MHz	4914 MHz	4486 MHz	5746 MHz
4	353 MHz	1456 MHz	1732 MHz	2243 MHz	2421 MHz	2264 MHz	4507 MHz	4921 MHz	4528 MHz	5757 MHz
5	357 MHz	1464 MHz	1743 MHz	2257 MHz	2428 MHz	2285 MHz	4543 MHz	4928 MHz	4571 MHz	5768 MHz
6	361 MHz	1471 MHz	1754 MHz	2271 MHz	2435 MHz	2307 MHz	4579 MHz	4935 MHz	4614 MHz	5779 MHz
7	366 MHz	1478 MHz	1764 MHz	2285 MHz	2442 MHz	2328 MHz	4614 MHz	4942 MHz	4657 MHz	5789 MHz
8	370 MHz	1485 MHz	1775 MHz	2300 MHz	2450 MHz	2350 MHz	4650 MHz	4950 MHz	4700 MHz	5800 MHz
9	374 MHz	1492 MHz	1786 MHz	2314 MHz	2457 MHz	2371 MHz	4686 MHz	4957 MHz	4742 MHz	5811 MHz
A	379 MHz	1499 MHz	1796 MHz	2328 MHz	2464 MHz	2392 MHz	4721 MHz	4964 MHz	4785 MHz	5821 MHz
B	383 MHz	1506 MHz	1807 MHz	2342 MHz	2471 MHz	2414 MHz	4757 MHz	4971 MHz	4828 MHz	5832 MHz
C	387 MHz	1514 MHz	1818 MHz	2356 MHz	2478 MHz	2435 MHz	4793 MHz	4978 MHz	4871 MHz	5843 MHz
D	391 MHz	1521 MHz	1829 MHz	2371 MHz	2485 MHz	2456 MHz	4829 MHz	4985 MHz	4913 MHz	5854 MHz
E	396 MHz	1528 MHz	1839 MHz	2385 MHz	2492 MHz	2478 MHz	4864 MHz	4992 MHz	4956 MHz	5864 MHz
F	399.9 MHz	1535 MHz	1850 MHz	2399 MHz	2499 MHz	2499 MHz	4900 MHz	4999 MHz	4999 MHz	5875 MHz